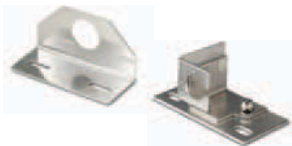


## Retroreflectors



## Sensor Mounting Brackets



## Sensor Accessory—AC Sensor Tester/Demonstrator



## Pilot Device—E65 Control Unit



<b>52.1 Retroreflectors and Retroreflective Tape</b>	
Product Description . . . . .	414
Application Description . . . . .	414
Product Selection . . . . .	415
Dimensions . . . . .	416
<b>52.2 Sensor Mounting Brackets</b>	
Product Description . . . . .	417
Product Selection Guide . . . . .	417
Product Selection . . . . .	418
Dimensions . . . . .	420
<b>52.3 Sensor Accessories</b>	
Product Description . . . . .	422
Product Selection . . . . .	422
Dimensions . . . . .	424
<b>52.4 Pilot Devices</b>	
Product Description . . . . .	425
Product Selection . . . . .	425
Technical Data and Specifications . . . . .	426
Wiring Diagrams . . . . .	426
Dimensions . . . . .	426

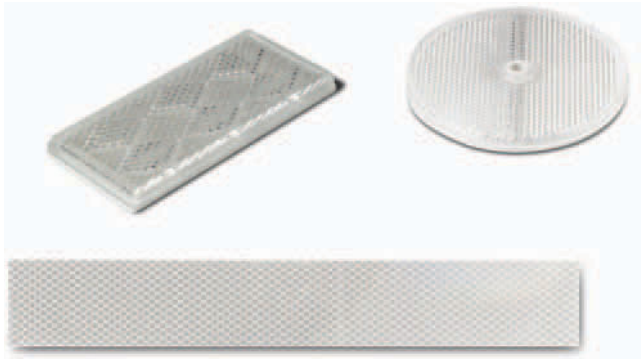


**Unless otherwise noted, the products contained in this section should not be used for functional safety applications. These products were not designed or tested to IEC 60947-5-3 or recommended for functional safety.**



For Customer Service in the U.S. call 1-877-ETN CARE (386-2273),  
in Canada call 1-800-268-3578.  
For Application Assistance in the U.S. and Canada  
call 1-800-426-9184.

#### Retroreflectors and Retroreflective Tape



### Retroreflectors and Retroreflective Tape

#### Product Description

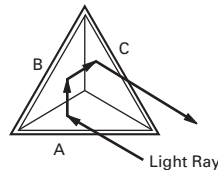
Retroreflectors from Eaton's electrical sector are used with reflex-type sensors. Two types of retroreflective target material are available: corner cube and embedded glass bead.

#### Application Description

##### Corner Cube Retroreflectors

This type provides the highest signal return to the sensor, typically 2000 to 3000 times the reflectivity of white paper. Three adjoining sides are arranged at right angles to each other. When a ray of light strikes one of these sides (A), it is reflected to the second (B), then the third (C), and then back to the source parallel to its original course. Thousands of these cube shapes are molded into a rugged plastic reflector or vinyl tape material. Corner cube retroreflectors are suitable for use with both standard reflex and polarized reflex sensors.

##### Corner Cube

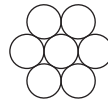


### Contents

Description	Page
Retroreflectors and Retroreflective Tape	
Product Selection	
Retroreflectors	415
Retroreflective Tape	415
Dimensions	416

##### Retroreflector Size

The size of the retroreflective target has a significant effect on the excess gain and range of a reflex sensor. In general, we recommend you use the largest possible reflector in every reflex sensing application to maximize performance of the sensor and simplify alignment. To provide an even larger reflective area, multiple retroreflectors can be grouped together as shown.



7 Retroreflectors Grouped Together

##### Using Retroreflectors with Polarized Reflex Sensors

Only corner cube retroreflective material can be used with polarized reflex sensors. When polarized light from the sensor's light source strikes a corner cube retroreflector, it is returned to the sensor in a depolarized state. This allows some of the light to pass through the detector's polarizer, which is positioned at 90° to the source polarizer, to allow the sensor to operate.

Glass bead retroreflectors do not depolarize light and will not work with polarized reflex sensors.

Molded plastic corner cube retroreflectors are always recommended as they provide the highest signal return to the sensor.

Corner cube tape works with polarized reflex sensors but returns less light to the sensor. In all cases, Eaton recommends testing sensor and tape prior to final installation.

For the most current information on this product, visit our web site: [www.eaton.com](http://www.eaton.com)

For Customer Service in the U.S. call 1-877-ETN CARE (386-2273), in Canada call 1-800-268-3578. For Application Assistance in the U.S. and Canada call 1-800-426-9184.

**Product Selection****Retroreflectors**

6200A-6507

**Corner Cube Retroreflector**

Description	Catalog Number
1.5 x 3.25 in, adhesive backed, one per package	6200A-6507

**Round Retroreflectors**

6200A-6501



Description	Catalog Number
3 in diameter, with mounting hole, two per package	6200A-6501
Bulk packaged version of above (ordered quantity will be bulk packaged)	6200AS6501

3 in diameter, with mounting hole, one per package	E51KR84
--	---------

6200A-6506



3 in diameter, metal backed, with mounting hole, one per package	6200A-6506
--	------------

6200A-6505



2.18 in diameter, with mounting hole, one per package	6200A-6505
---	------------

6200A-6502



2.18 in diameter, adhesive backed, one per package	6200A-6502
--	------------

6200A-6504



1.25 in diameter, adhesive backed, one per package	6200A-6504
Bulk packaged version of above (ordered quantity will be sent bulk packaged)	6200AS6504
1.25 in diameter, no adhesive, one per package	E51KR32

**Retroreflective Tape**

6204A-XXXX

**Corner Cube Style** <sup>①</sup>

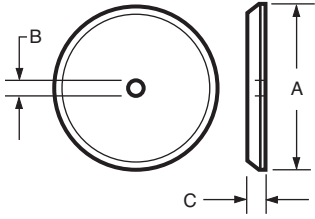
Description	Catalog Number
2 in wide, 1 piece, quantity is length in feet	6201A-XXXX

**Note**

- ① Although corner cube tape works with polarized reflex sensors, we recommend testing sensor and tape prior to installation.

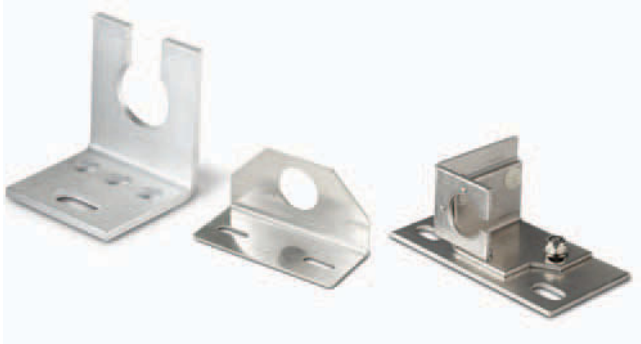
**Dimensions**

Approximate Dimensions in Inches (mm)

**Round Retroreflectors**

Catalog Number	Diameter A	Hole Size B	Thickness C
6200A-6501	3.30 (84)	0.20 (5)	0.35 (9)
6200A-6502	2.40 (61)	None	0.30 (7.5)
6200A-6504	1.30 (33)	None	0.25 (6)
6200A-6505	2.40 (61)	0.25 (6)	0.30 (7.5)
6200A-6506	3.30 (84)	0.20 (5)	0.30 (7.5)
E51KR32	1.25 (32)	None	0.35 (9)
E51KR84	3.30 (84)	0.20 (5)	0.35 (9)

## Sensor Mounting Brackets



## Contents

<b>Description</b>	<b>Page</b>
Sensor Mounting Brackets	
Product Selection .....	<b>418</b>
Dimensions .....	<b>420</b>

## Sensor Mounting Brackets

## Product Description

Mounting brackets by Eaton's electrical sector found in this section are suited for use with 8 mm to 30 mm diameter tubular sensors only. Mounting brackets designed to specifically fit other types of sensors are found in the respective "Accessories" sections for those sensor families.

## Product Selection Guide

When choosing a bracket, consider:

- Adjustability—Do you need minimal alignment capability (mounting an inductive proximity sensor), or a high level of alignment precision (mounting a long range photoelectric thru-beam sensor)?
- Material of Construction—This can be dictated by the sensing environment or the type of sensor you are using.

For the most current information on this product, visit our web site: [www.eaton.com](http://www.eaton.com)

For Customer Service in the U.S. call 1-877-ETN CARE (386-2273), in Canada call 1-800-268-3578.

For Application Assistance in the U.S. and Canada call 1-800-426-9184.

## Product Selection

## Sensor Mounting Brackets

## Mounting Brackets for Tubular Sensors

	Description	Size	Catalog Number
<b>L-Shaped Bracket</b>	<b>L-Shaped Bracket—E57KM_</b>		
	Adjustability: Allows some adjustment in two axes	8 mm	<b>E57KM8</b>
	Sensor mounting: Sensor mounts with two jam nuts and washers ①	12 mm	<b>E57KM12</b>
	Material of construction: Stainless steel	18 mm	<b>E57KM18</b>
	Packaging: One per package	30 mm	<b>E57KM30</b>
<b>L-Shaped Bracket</b>	<b>L-Shaped Bracket—6161A_</b>		
	Adjustability: Allows some adjustment in one axis and allows for aiming of the sensor through a short arc	18 mm	<b>6161A-6501</b>
	Sensor mounting: Sensor mounts with two jam nuts and washers ①		
	Material of construction: Aluminum with chromate finish		
	Packaging: Two per package		
	Packaging: Same as <b>6161A-6501</b> (above), except: Bulk packaged (ordered quantity will be sent bulk packed)	18 mm	<b>6161AS6501</b>
<b>L-Shaped Bracket</b>	<b>L-Shaped Bracket—6167A</b>		
	Adjustability: Allows a minimum range. Suitable for 30 mm sensors.	30 mm	<b>6167A-6501</b>
	Sensor mounting: Allows some adjustment in one axis		
	Material of construction: Sensor mounts with two jam nuts ①		
	Material of construction: Zinc dichromate		
	Packaging: One per package		
<b>L-Shaped Bracket with Slot</b>	<b>L-Shaped Bracket with Slot ②</b>		
	Adjustability: Allows some adjustment in one axis and allows for aiming of the sensor through a short arc	18 mm	<b>6161AS7050</b>
	Sensor mounting: Sensor mounts with two jam nuts and washers ①		
	Material of construction: Aluminum with chromate finish		
	Packaging: Bulk packaged (ordered quantity will be sent bulk packed)		
<b>Flat Bracket</b>	<b>Flat Bracket</b>		
	Adjustability: Allows some adjustment in one axis and allows for aiming of the sensor through a short arc	18 mm	<b>6161AS5295</b>
	Sensor mounting: Sensor mounts with two jam nuts and washers ①		
	Material of construction: Aluminum with chromate finish		
	Packaging: Bulk packaged (ordered quantity will be sent bulk packed)		
<b>Adjustable Bracket</b>	<b>Adjustable Bracket—E58KAM18_ ③</b>		
	Adjustability: Locking vertical and horizontal adjustments for independent adjustments in each axis	18 mm	<b>E58KAM18</b>
	Sensor mounting: Sensor mounts with two jam nuts and washers ①		
	Material of construction: 304 stainless steel		
	Packaging: One per package		
	Packaging: Same as <b>E58KAM18</b> , except not electrically isolated from mounting surface	18 mm	<b>E58KAM18U</b>

Dimensions, see Page 420.

## Notes

- ① Included with sensor.
- ② Allows installation of sensor with jam nuts already in place on sensor body, (Comet and Prism sensors only).
- ③ Sensor is electrically isolated from mounting surface.

## Mounting Brackets for Tubular Sensors, continued

	Description	Size	Catalog Number
<b>Adjustable Bracket</b> 	<b>Adjustable Bracket—E58KAM30</b> ①		
	Adjustability: Locking vertical and horizontal adjustments for independent adjustment in each axis Sensor mounting: Sensor mounts with two jam nuts ② Material of construction: 304 stainless steel Packaging: One per package	30 mm	<b>E58KAM30</b>
	Same as <b>E58KAM30</b> , except not electrically isolated from mounting surface.	30 mm	<b>E58KAM30U</b>
<b>18 mm Ball Swivel Bracket</b> 	<b>18 mm Ball Swivel Bracket</b>		
	Adjustability: Allows 360° rotation and 10° vertical tilt Sensor mounting: Mounts directly to any 18 mm threaded sensor Material of construction: 5% glass filled Valox® Packaging: One per package	18 mm	<b>E58KAM18B</b>
<b>Metal Ball Swivel Mount</b> 	<b>Metal Ball Swivel Mount</b> ③		
	Adjustability: Allows 5.5° rotation with screw lock to fix final position Sensor mounting: Mounts directly to any 18 mm tubular sensor Material of construction: Extremely rugged, made from zinc plated steel/Celenex® Packaging: One per package	0.75 in (18 mm)	<b>6168A-6501</b>
<b>Plastic Ball Swivel Mount</b> 	<b>Plastic Ball Swivel Mount—6143A</b>		
	Adjustability: Allows 10° rotation on X and Y axes with a clamping action to hold adjustment Sensor mounting: Mounts directly to any 8 mm tubular sensor Material of construction: Noryl ④ Operating temperature: -40° to 160°F (-40° to 71°C) Packaging: One per package	0.375 in (8 mm)	<b>6143A-6501</b>
<b>Plastic Ball Swivel Mount</b> 	<b>Plastic Ball Swivel Mount—6142A</b>		
	Same as <b>6143A-6501</b> (above), except: Sensor mounting: Mounts directly to any 18 mm tubular sensor	0.75 in (18 mm)	<b>6142A-6501</b>
<b>Cushioned Sensor Mounts</b> 	<b>Cushioned Sensor Mounts</b>		
	Precision machined, spring-loaded sleeves that hold tubular sensors to protect them from accidental impact due to overtravel of the target being sensed.	8 mm	<b>E57KNZ8</b>
		12 mm	<b>E57KNZ12</b>
	Used for inductive proximity sensors only.	18 mm	<b>E57KNZ18</b>
		30 mm	<b>E57KNZ30</b>

Dimensions, see Page 420.

#### Notes

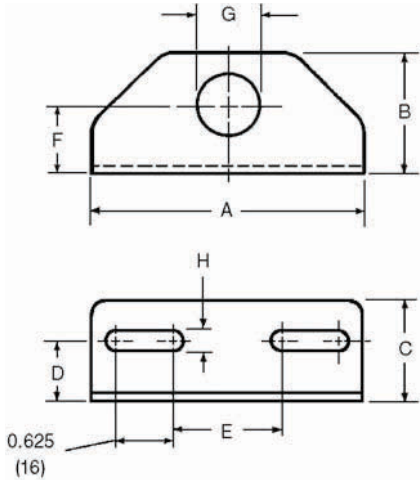
- ① Sensor is electrically isolated from mounting surface.
- ② Included with sensor.
- ③ Electrically isolates the sensor to prevent noise pick-up caused by poor grounding.
- ④ Avoid exposing to chlorinated halogenated or aromatic hydrocarbons

#### Dimensions

Approximate Dimensions in Inches (mm)

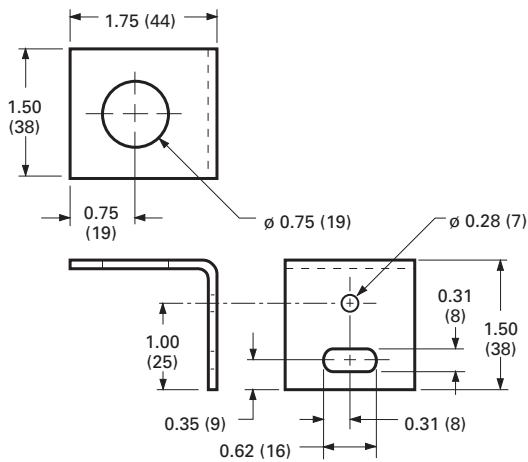
#### Sensor Mounting Brackets for Tubular Sensors

##### L-Shaped Bracket—E57KM

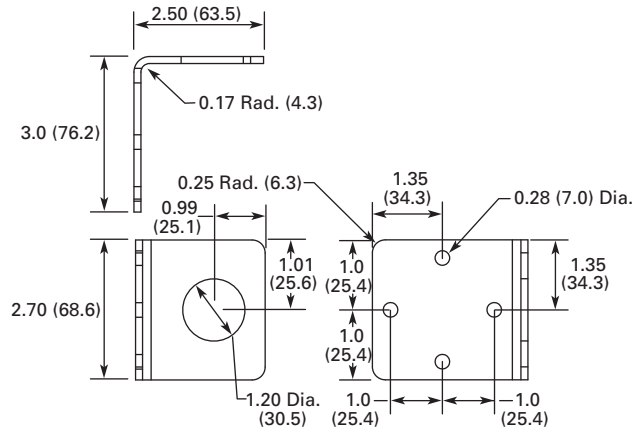


Size	A	B	C	D
8 mm	3.00 (76)	1.35 (34)	1.125 (29)	0.65 (17)
12 mm	3.00 (76)	1.35 (34)	1.125 (29)	0.65 (17)
18 mm	3.00 (76)	1.35 (34)	1.125 (29)	0.65 (17)
30 mm	4.25 (108)	2.15 (55)	1.75 (45)	1.00 (25)
	E	F	G	H
8 mm	1.20 (31)	0.75 (19)	0.323 (8)	0.218 (6)
12 mm	1.20 (31)	0.75 (19)	0.484 (12)	0.218 (6)
18 mm	1.20 (31)	0.75 (19)	0.718 (18)	0.218 (6)
30 mm	2.00 (51)	1.25 (29)	1.203 (30)	0.281 (7)

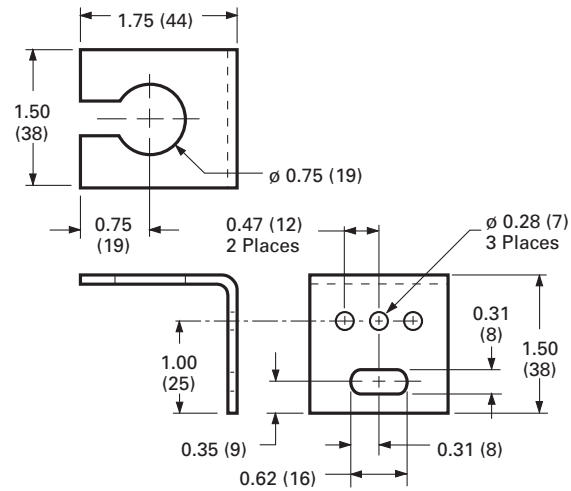
##### L-Shaped Bracket—6161A



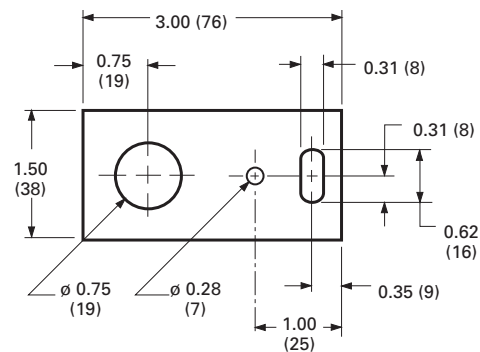
##### L-Shaped Bracket—6167A



##### L-Shaped Bracket with Slot



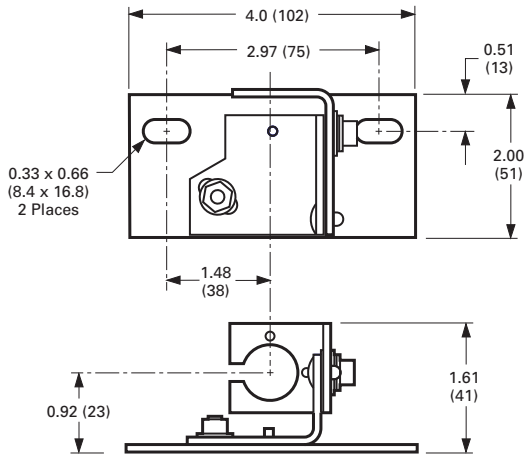
##### Flat Bracket



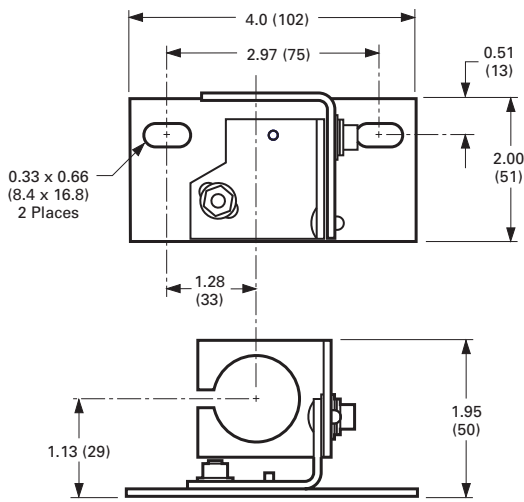


Approximate Dimensions in Inches (mm)

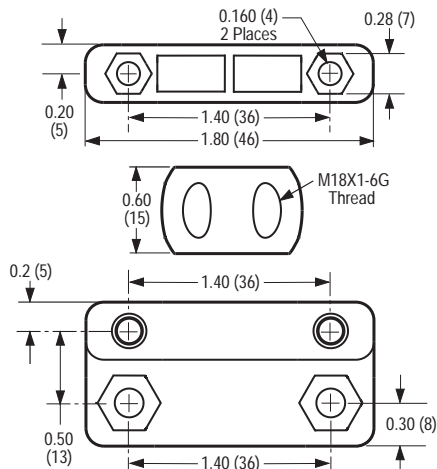
### Adjustable Bracket—E58KAM18



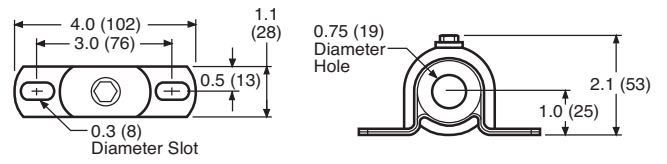
### Adjustable Bracket—E58KAM30



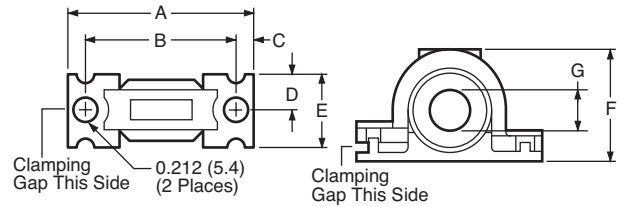
### 18 mm Ball Swivel Bracket



### Metal Ball Swivel Mount ①



### Plastic Ball Swivel Mount

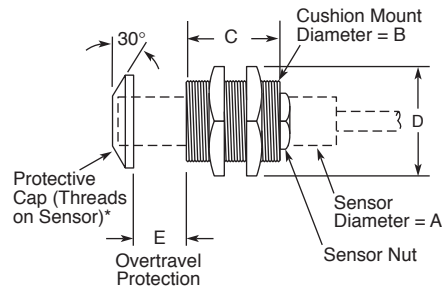


Size	A	B	C	D
8 mm	1.96 (49.8)	1.56 (39.6)	0.20 (5.1)	0.40 (10.2)
18 mm	2.80 (71.1)	2.25 (57.2)	0.275 (7.0)	0.50 (12.7)

	E	F	G
8 mm	0.80 (20.3)	1.05 (26.7)	0.375 (9.5)
18 mm	1.00 (25.4)	1.64 (41.7)	0.75 (19.1)

### Cushioned Sensor Mounts ②



Size	A	B	C	D	E
8 mm	M8 x 1	M16 x 1.5	0.87 (22)	0.87 (22)	0.35 (9)
12 mm	M12 x 1	M22 x 1.5	0.87 (22)	1.12 (29)	0.41 (10)
18 mm	M18 x 1	M30 x 1.5	1.17 (30)	1.41 (36)	0.49 (12)
30 mm	M30 x 1.5	M47 x 1.5	1.47 (37)	1.72 (51)	0.57 (15)

#### Notes

- ① Dimensions are in inches only.
- ② Sensing range will be reduced by thickness of cap's wear surface: 0.030 in (0.76 mm) maximum.

**Sensor Accessories**



**Contents**

<b>Description</b>	<b>Page</b>
Sensor Accessories	
Product Selection .....	<b>422</b>
Dimensions .....	<b>424</b>

**Sensor Accessories**



**Product Description**

Accessories from Eaton’s electrical sector include portable power supplies for testing or demonstrating DC sensors, a variety of

replacement mounting nuts, protective end caps for tubular proximity sensors, and conduit adapters for tubular sensors.

**Product Selection**

**Sensor Accessories**

	<b>Description</b>	<b>Catalog Number</b>
<p><b>DC Sensor Tester/Demonstrator</b></p> 	<p><b>DC Sensor Tester/Demonstrator</b></p> <p>For two-, three- and four-wire DC sensors Provides 27 Vdc power from three 9V batteries (included) Test output connections for both NPN and PNP outputs</p>	<p><b>9902A-6501</b></p>
<p><b>AC Sensor Tester/Demonstrator</b></p> 	<p><b>AC Sensor Tester/Demonstrator</b></p> <p>For AC sensors Provides AC power from wall mount Includes AC adapter</p>	<p><b>9902A-6502</b></p>
<p><b>Dimensions, see Page 424.</b></p>		

For the most current information on this product, visit our web site: [www.eaton.com](http://www.eaton.com)

For Customer Service in the U.S. call 1-877-ETN CARE (386-2273), in Canada call 1-800-268-3578. For Application Assistance in the U.S. and Canada call 1-800-426-9184.

## Sensor Accessories, continued

	Description	Sensor Diameter	Catalog Number
<b>Mounting Nut, E57KN_</b>	<b>Replacement Mounting Nuts—Stainless Steel, E57KN_</b>		
	Where used: Harsh environment for tubular sensors	8 mm	<b>E57KNM8</b>
	Material of construction: Stainless steel	12 mm	<b>E57KNS12</b>
	Packaging: Two per package	18 mm	<b>E57KNS18</b>
		30 mm	<b>E57KNS30</b>
<b>Mounting Nut, E60KN18</b>	<b>Replacement Mounting Nuts—Brass</b>		
	Where used: General purpose for tubular sensors ①	18 mm	<b>E60KNS18</b>
	Material of construction: Brass		
	Packaging: Two nuts and two wave washers per package		
<b>Mounting Nut, E58KN_</b>	<b>Replacement Mounting Nuts—Stainless Steel, E58KN_</b>		
	Where used: Harsh environment for tubular sensors	18 mm	<b>E58KNS18</b>
	Material of construction: Stainless steel		
	Packaging: Two per package	30 mm	<b>E58KNS30</b>
<b>Mounting Nut, E57KNC18</b>	<b>Replacement Mounting Nuts—Plastic</b>		
	Where used: Harsh environment for tubular and SM series sensors	18 mm	<b>E57KNC18</b>
	Material of construction: Plastic		
	Packaging: Two per package		
<b>Protective Cap, E57KP_</b>	<b>Protective Caps—E57KP_</b>		
	Where used: Tubular Proximity Sensors	12 mm	<b>E57KP12</b>
	Material of construction: Delrin	18 mm	<b>E57KP18</b>
	Packaging: One per package	30 mm	<b>E57KP30</b>
<b>Conduit Adapters, E57KC_</b>	<b>Conduit Adapters—E57KC_</b>		
	Where used: To attach electrical conduit to rear of tubular sensors	8 mm	<b>E57KC8</b>
	Material of construction: Die cast steel	12 mm	<b>E57KC12</b>
	Packaging: One adapter and nut per package	18 mm	<b>E57KC18</b>
		30 mm	<b>E57KC30</b>
<b>Conduit Adapters, E58KC30</b>	<b>Conduit Adapters—E58KC30</b>		
	Where used: To attach E58 harsh duty 30 mm sensors to half-inch conduit fittings	30 mm	<b>E58KC30</b>
	Material of construction: Stainless steel		
	Packaging: One per package		

**Dimensions**, see Page 424.

**Note**

① These are the standard mounting nuts shipped with the Comet, Prism and OEM Prism photoelectric sensors.

# 52.3 Sensor Accessories

## Dimensions

Approximate Dimensions in Inches (mm)

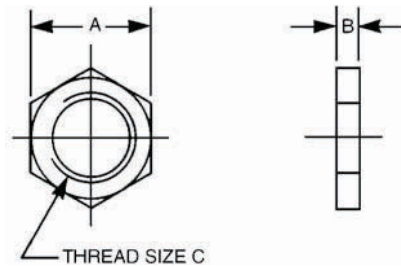
### DC Sensor Tester/Demonstrator

W	H	D
2.5 (65)	4.75 (120)	2.1 (55)

### AC Sensor Tester/Demonstrator

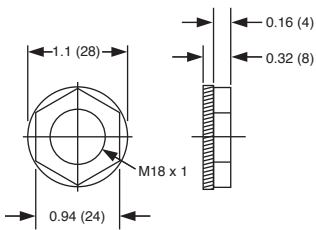
W	H	D
2.5 (65)	4.5 (114)	1.5 (38)

## 52 Replacement Mounting Nuts—Stainless Steel and Brass

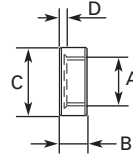


Size	A	B	C
8 mm	0.5 (13)	0.16 (4)	M8 x 1
12 mm	0.7 (17)	0.16 (4)	M12 x 1
18 mm	0.94 (24)	0.16 (4)	M18 x 1
30 mm	1.4 (36)	0.16 (4)	M30 x 1.5

## Replacement Mounting Nuts—Plastic

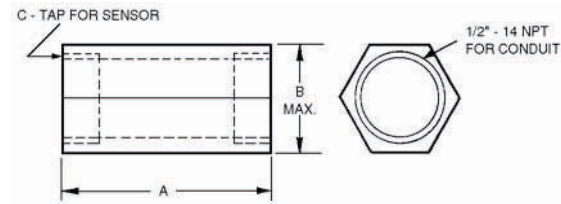


## Protective Caps



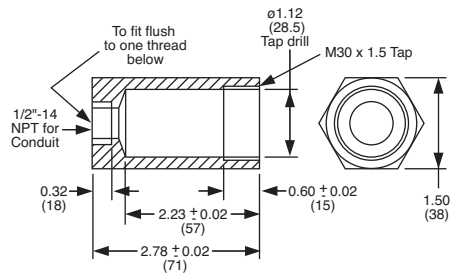
Size	Switch Size A	B	C	Thickness D
12 mm	0.47 (12)	0.39 (10)	0.63 (16)	0.04 (1.0)
18 mm	0.71 (18)	0.36 (9.2)	0.83 (21.2)	0.04 (0.9)
30 mm	1.18 (30)	0.59 (15)	1.42 (36)	0.07 (1.7)

## Conduit Adapters—E57KC\_



Size	Length A	Hex B	Tap C
8 mm	1.0 (25)	1.0 (25)	M8 x 1
12 mm	1.5 (38)	1.0 (25)	M12 x 1
18 mm	1.5 (38)	1.0 (25)	M18 x 1
30 mm	1.9 (48)	1.5 (38)	M30 x 1.5

## Conduit Adapters—E58KC30



Pilot Devices



Contents

<i><b>Description</b></i>	<i><b>Page</b></i>
Pilot Devices	
Product Selection .....	425
Technical Data and Specifications .....	426
Wiring Diagrams .....	426
Dimensions .....	426

Pilot Devices

Product Description

Type E65 control units from Eaton’s electrical sector are designed for use with amplifier built-in sensors to provide an SPDT relay contact output (in addition to the solid-state output of the sensor), and to convert an

AC input voltage to stable 12 Vdc, permitting operation of a DC sensor from an AC input. Use only with NPN output sensors. A switch is provided in the output circuit for selecting either light or dark sense operation. These

control units are available with or without a selectable ON-delay, OFF-delay or one-shot timer having an adjustable timing range of 0.1 to 5 seconds. A red LED indicator glows when the output relay is energized.

Product Selection

E65 Control Unit



E65 Control Units

Voltage	Output Configuration	Features	Catalog Number
110 to 120V/220 to 240 Vac ± 10%, 50/50 Hz	Selectable light or dark sense	SPDT relay contact output	With external synchronization
			With delay timer ①
			Without delay timer
			E65PS

Note

① Selectable for ON-delay, OFF-delay or ONE-SHOT operation with an adjustable timing range of 0.1 to 5 seconds.

For the most current information on this product, visit our web site: [www.eaton.com](http://www.eaton.com)

For Customer Service in the U.S. call 1-877-ETN CARE (386-2273), in Canada call 1-800-268-3578. For Application Assistance in the U.S. and Canada call 1-800-426-9184.

#### Technical Data and Specifications

##### Pilot Devices

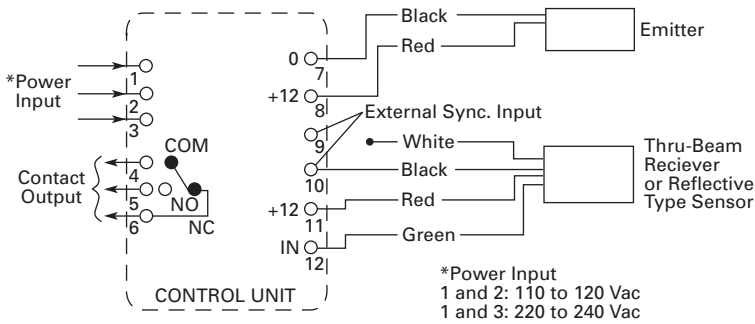
Description	Specification
Input voltage	110 to 120V/220 to 240 Vac $\pm$ 10%, 50/60 Hz
Temperature range	14° to 122°F (-10° to 50°C)
Relative humidity	Less than 85%
Response time	Less than 20 ms
Output voltage	12 Vdc $\pm$ 10%, 100 mA maximum
Short-circuit and polarity protection	Incorporated
Power consumption	Less than 8 VA
Terminal connections	Screw and saddle clamp to accept 14 AWG wire
Output	SPDT relay contact rated 3A resistive at 250 Vac

52

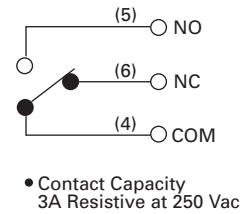
#### Wiring Diagrams

Pin numbers are for reference, rely on pin location when wiring.

##### Output Circuits and Connections



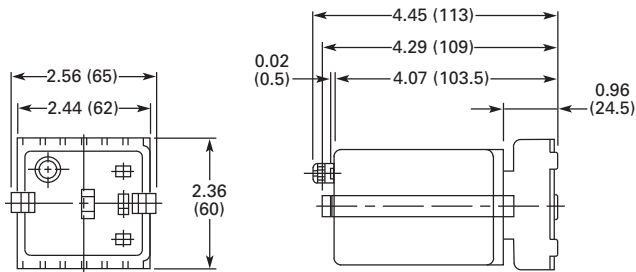
##### Relay Contact Output



#### Dimensions

Approximate Dimensions in Inches (mm)

##### Control Unit



##### Socket with Terminals

